

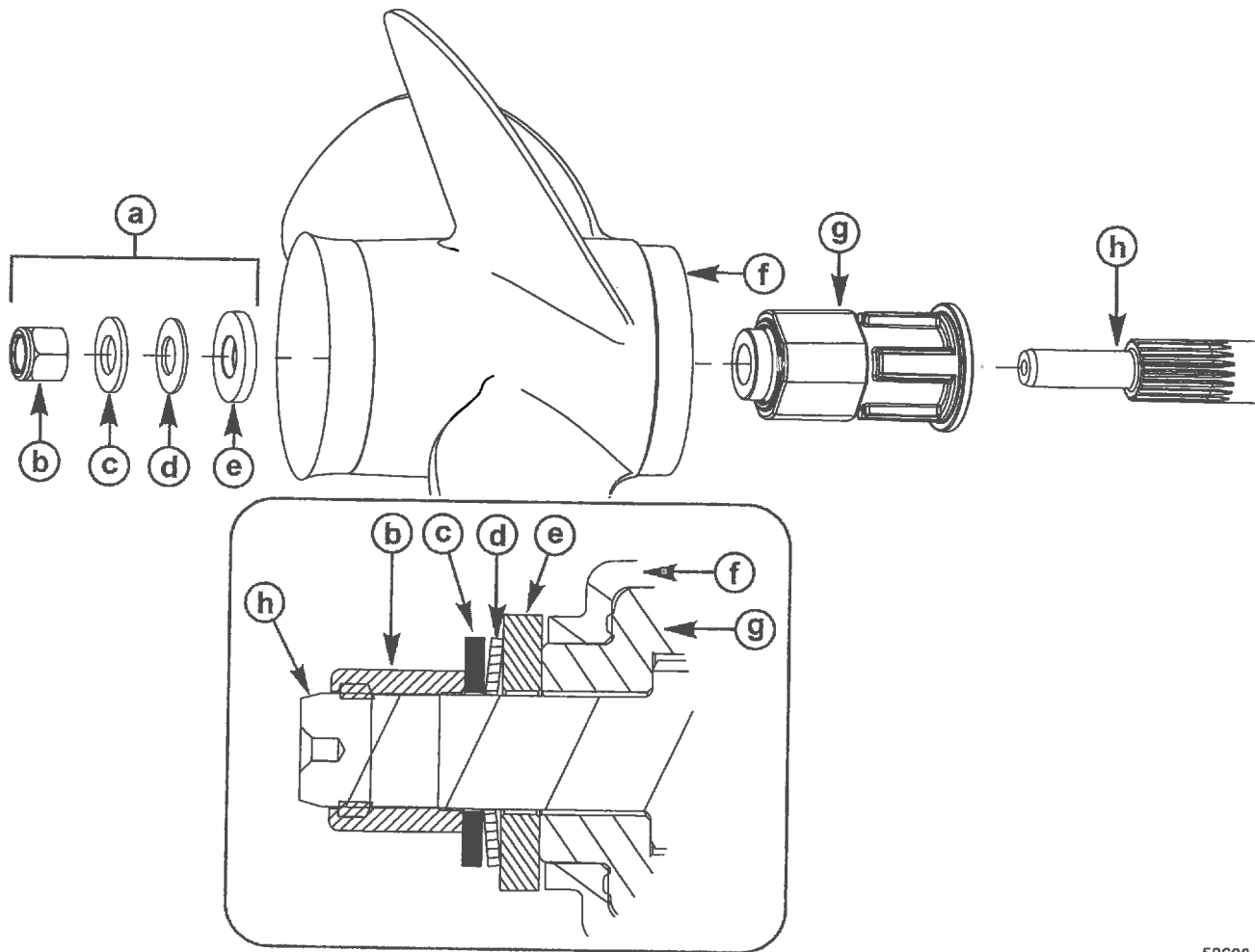
# PROPELLER HUB KIT

## 1.25 IN. PROPELLER SHAFT

**IMPORTANT:** This document guides our dealers, boatbuilders, and company service personnel in the proper installation or service of our products. If you have not been trained in the recommended servicing or installation procedures for these or similar Mercury Marine products, have the work performed by an authorized Mercury Marine dealer technician. Improper installation or servicing of the Mercury product could result in damage to the product or personal injury to those installing or operating the product.

**NOTE:** After completing installation, place these instructions with the product for the owner's future use.

### Components Contained in Kit

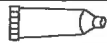
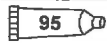


58608

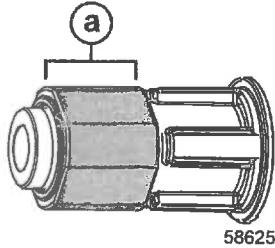
Ref.	Qty.	Description	Part Number
a	1	Propeller washer and nut kit	840383A2
b	1	Propeller nut	NSS
c	1	Washer	NSS
d	1	Cupped Belleville washer	NSS
e	1	Thick washer	NSS
f	-	Propeller (reference only)	-
g	1	Propeller hub	NSS
h	-	Propeller shaft (reference only)	-

# Propeller Installation

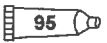
1. Coat the propeller shaft and splines with Extreme Grease or 2-4-C with PTFE.

Tube Ref No.	Description	Where Used	Part No.
	Extreme Grease	Propeller shaft and splines	8M0071842
	2-4-C with PTFE	Propeller shaft and splines	92-802859A 1

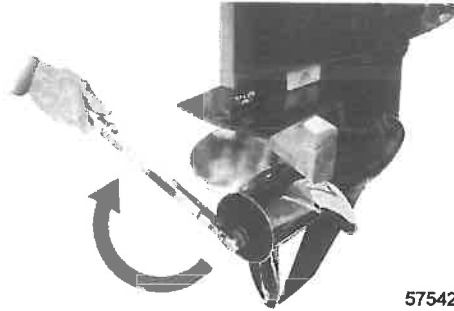
2. Apply 2-4-C with PTFE to the rubber end of the propeller hub, to aid in assembly.



a - Apply 2-4-C with PTFE

Tube Ref No.	Description	Where Used	Part No.
	2-4-C with PTFE	Rubber end of the propeller hub	92-802859A 1

3. Slide the propeller hub into the propeller. The fit is tight; lightly tap on the propeller hub with a mallet to help slide it in.
4. Install the remaining propeller hub kit components as illustrated.
5. Place a block of wood between the gearcase and propeller. Tighten the propeller nut to the specified torque.



Description	Nm	lb-in.	lb-ft
Propeller nut	75	-	55.3